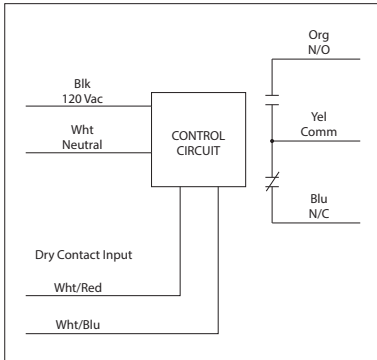


DRY CONTACT INPUT RELAYS

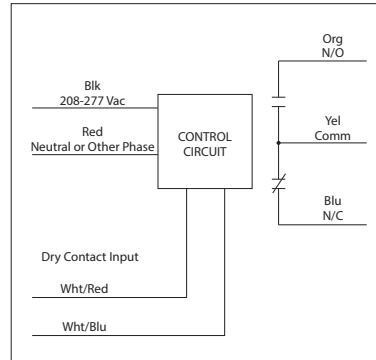
RIB01BDC

Enclosed Relay 20 Amp SPDT, Class 2 Dry Contact Input, **120 Vac Power Input**



RIB02BDC

Enclosed Relay 20 Amp SPDT, Class 2 Dry Contact Input, **208-277 Vac Power Input**



RELAYS

SPECIFICATIONS

Relays & Contact Type: One (1) SPDT Continuous Duty Coil

Expected Relay Life: 10 million cycles minimum mechanical

Operating Temperature: -30 to 140° F

Humidity Range: 5 to 95% (noncondensing)

Operate Time: 1.8 Seconds

Relay Status: LED On = Activated

Dimensions: 2.30" x 3.20" x 1.80" with .50" NPT Nipple

Wires: 16", 600V Rated

Approvals: UL Listed, UL916, C-UL

California State Fire Marshal

Housing Rating: UL Accepted for Use in Plenum, NEMA 1

Gold Flash: No

Override Switch: No

Contact Ratings:

20 Amp Resistive @ 277 Vac

1110 VA Pilot Duty @ 277 Vac

770 VA Pilot Duty @ 120 Vac

20 Amp Ballast @ 277 Vac

16 Amp Electronic Ballast @ 277 Vac (N/O)

10 Amp Tungsten @ 120 Vac (N/O)

240 Watt Tungsten @ 120 Vac (N/C)

2 HP @ 277 Vac

1 HP @ 120 Vac

Power Input:

42 mA @ 120 Vac (RIB01BDC)

62 mA @ 208-277 Vac (RIB02BDC)

Notes:

• Dry Contact Input Operation:

Close White/Red wire to White/Blue wire to activate relay. If more than one dry contact RIB® shares a single dry contact input, White/Blue must be common.